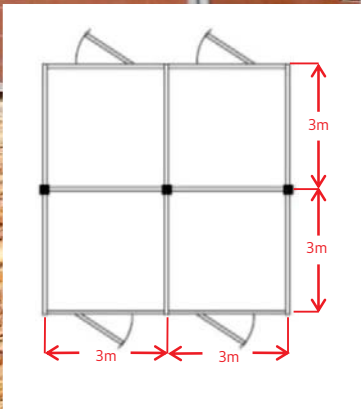
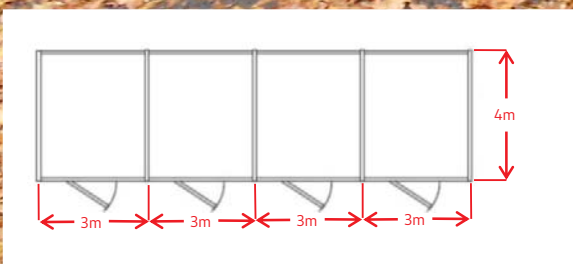


Temporary Quickstables

Manufactured using long-life galvanised steel frames, Quickstables have double walled plastic partitions made with sustainably sourced hdpe recycled materials which prevent kick-through and are completely nail and splinter free. Woodhouse Quickstables offer safe temporary stabling for horses and ponies of all sizes and competitive levels. Quickstables are protected under UK Patent No. GB2365032.



- 3m x 3m x 2.3m Quickstable meets FEI regulations whilst the super sized 4m x 3m x 2.3m Quickstable exceeds the FEI regulations, all stables are available in either a back-to-back or single row formation.
- Nail and splinter free partitions manufactured from double walled recycled hdpe panels.
- 2.3m high partitions reduce the potential for unwanted horse-to-horse contact.
- The flame retardant PVC roof covers are compliant with UK and EU current standards and the MUTA Best Practice Industry Standard.



Apex and Eave height are the same for all unit sizes

