

## Traditional Timber Stables

Traditional timber temporary stables are a tried and tested design, erected in back-to-back and single row configurations and used at equestrian shows and events around the UK. All our timber stables are inspected and repaired annually, keeping them fit for purpose for whenever you need them.

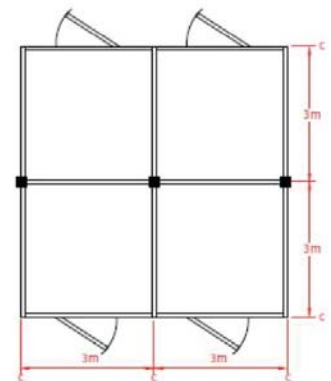
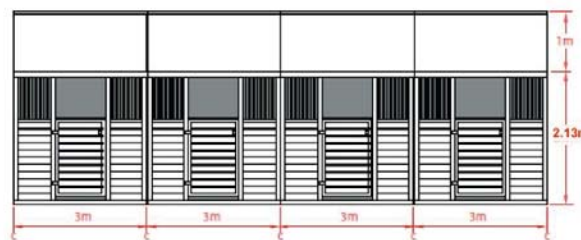
All of our temporary stables are erected and dismantled by our dedicated and experienced on-site installation teams ensuring that MUTA Best Practice Industry Standards are followed every time.



### Overall Dimensions

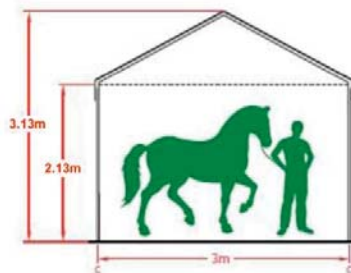
Stable type	width x depth x height
Standard	2.4m x 3.0m x 2.13m (8' x 10' x 7')
Large	3.0m x 3.0m x 2.13m (10' x 10' x 7') Full 9m <sup>2</sup> area complies with FEI recommendations
Extended	3.6m x 3.0m x 2.13m (12' x 10' x 7') Full 10.8m <sup>2</sup> area exceeds FEI recommendations

Tack Rooms and Feedstores can be supplied as an integral part of the stabling.



### Apex and Eaves Height

NB: Apex and eave heights are the same for all unit sizes.



- Sturdy hardwall machined tongue and grooved timber construction
- Suitable for either back-to-back or single row configuration
- Open front with high roof gives good ventilation
- Tin edging helps with preventing crib biting
- Flame retardant PVC roof covers

